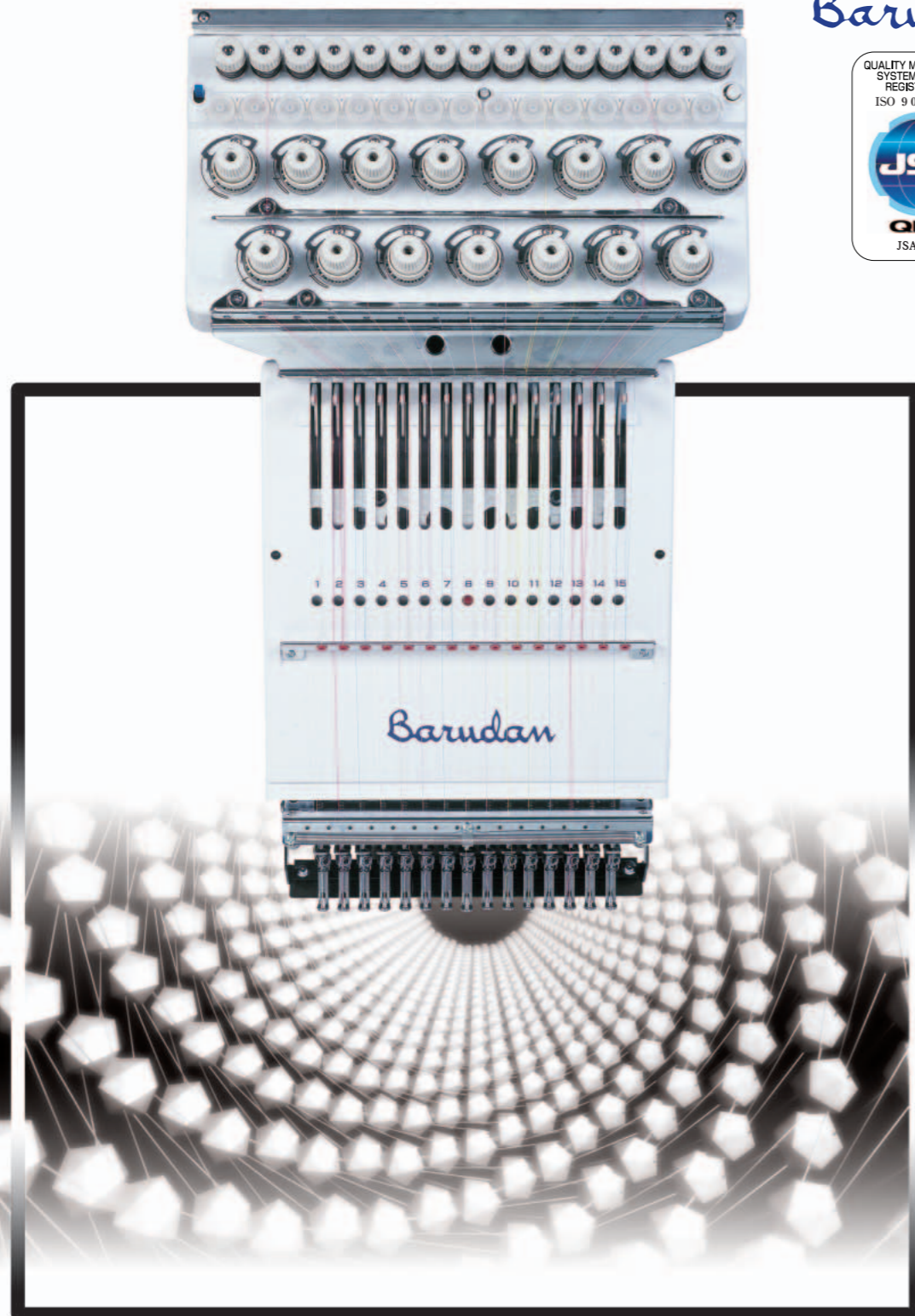


Barudan



BEVT series

Single Head Embroidery Machines

BEVTseries

Icon Display Provides Easy Operation



● **CF INPUT/OUTPUT**
Inputs/outputs patterns from Compact Flash Memory



● **DESIGN OUTLINE TRACE**
Determines if the pattern will be sewn in the correct position



● **NETWORK (Option)**
Controls patterns and machine operation on line



● **MEMORY**
Displays, deletes, rotates and outputs the pattern in memory



● **MANUAL**
Manually control certain machine functions and gain access to machine parameters



● **COLOR CHANGE**
Changes to a different needle



● **TRIM**
Allows you to manually trim the thread



● **TEACH**
Edits functions and color changes in a pattern



● **DRIVE**
Switches IN/OUT of drive operation



● **ROTATE/MIRROR**
Rotates a pattern in 1° increments up to 360° with or without mirror

■ SPECIFICATIONS

MODEL	Embroidery Area (mm)	Cap frame (mm)	Frames for Finished Goods Maximum (mm)	Number of Needles	Stitch Length (mm)	Speed (rpm)	Power Supply (V)	Power Consumption (kW)
BEVT-Z901CA	250×250	72×172	240×240	9	0.1 ~ 12.7	1,000	1 φ 100~240V	0.25
BEVT-Z901CA	250×400		300×430*					
BEVT-Z1501CB	330×500	79×360	330×438	15		1,200		
BEVT-Z1501C	450×520		460×434		1,000	0.3		

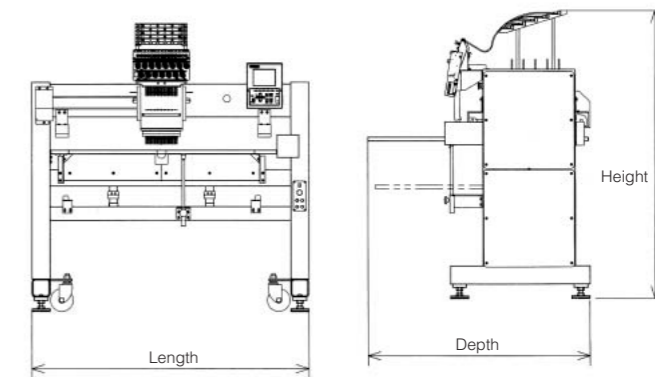
*The embroidery size for H-direction is 250mm.

■ MACHINE MAIN DIMENSIONS

MODEL	Dimensions (mm)			Weight (kg)
	Length	Depth	Height	
BEVT-Z901CA	525	700	970	75
BEVT-Z901CA	705	700	970	76
BEVT-Z1501CB	750	910	890	120
BEVT-Z1501C	1525	1225	1590	315

Note1 : The embroidery area indicated above allows for maximum pantograph movement. The frame used may restrict the actual embroidery field size.

Note2 : The sewing speed range is indicated above. Actual sewing speed should be adjusted for your embroidery application, i.e., stitch length, fabric used, etc.



Various Options



Sleeve Frame
(not available on BEVT-Z901CA)



Wide Cap Frame



Semi-Wide Cap Frame



Loop & Cord device as Cording



Loop & Cord device as Looping



Boring Needle

"Barudan" is a trademark of BARUDAN CO., LTD. in Japan.

QUALITY MANAGEMENT SYSTEM ISO 9001 REGISTRATION ISO 9001:2000



BARUDAN CO., LTD.

SALES DEPT./
20 Tsukagoshi, Josuiji, Ichinomiya-city,
Aichi-pref., 491-0004 Japan
Phone : +81 586-76-1137 Fax : +81 586-77-1499
U R L : <http://www.barudan.co.jp/>
E-mail : info@barudan.co.jp

Agent :

We reserve the right to change specifications without notice for the purpose of product improvement.

JF (11) 5.000@K

BEVT series

Barudan introduces three types of single head embroidery machines.


- (1) **BEVT-Z901CA** — small, compact machine good for monogramming and logos.
- (2) **BEVT-Z1501CB** — mid size machine good for all types of embroidery.
- (3) **BEVT-Z1501C** — large machine with bridge-mounted sewing head, provides plenty of room to embroider a wide range of small to large heavy items.

All models are professionally engineered and very user friendly. One is sure to fit your embroidery needs!

Professional quality takes your business to new heights.



Simple Operation
Everything about the BEVT series is easy. Executing the machine's variety of functions is simple - using easily recognized icons. (Network capabilities)



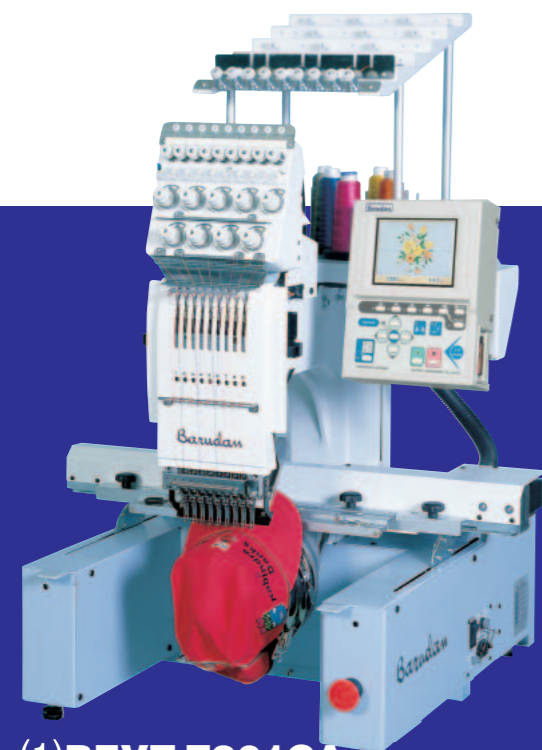
Radius Cylinder Arm
Barudan's unique cylinder arm hugs the inside curve of the cap frame. Provides a smooth, even surface for stitching. Reduces flagging and distortion. Use the same throat for all embroidery. No need to change plates between jobs.



Large Field Size
Large field size of 450x520 on BEVT-Z1501C increases the range of products and productivity.



Versatility
Embroider a complete range of items --- caps, socks, jackets, towels and more. Converting your machine for different goods is quick and easy.



(1) **BEVT-Z901CA**
with optional cap frame



(2) **BEVT-Z1501CB**
with optional sleeve frame



(3) **BEVT-Z1501C**

Standard Features

- User-friendly, icon-based machine operation; standard throughout Barudan line.
- Ability to sew flats, caps and tubular goods; quick changeover between products.
- Easy-to-read oversized color LCD.
- Automatic detector for both top and bobbin thread breaks.
- Radius cylinder arm for the highest quality embroidery on finished caps.
- 10 million stitch capacity in 30 patterns.
- CF Card (Compact Flash Card) slot.
- DESIGN OUTLINE TRACE

- 1,600 stitch back-up
- Stand-by function
- Super quiet operation
- Heavy-duty construction
- Easy maintenance
- Networking capabilities